



# HAF-A Throw type SOLAS Inflatable liferaft



Specification of HAF-A inflatable Liferafts

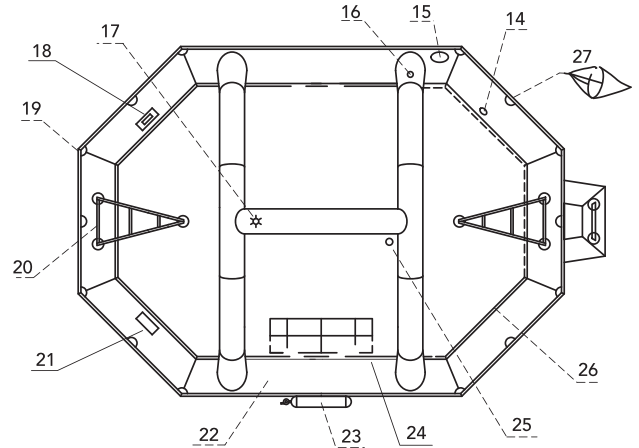
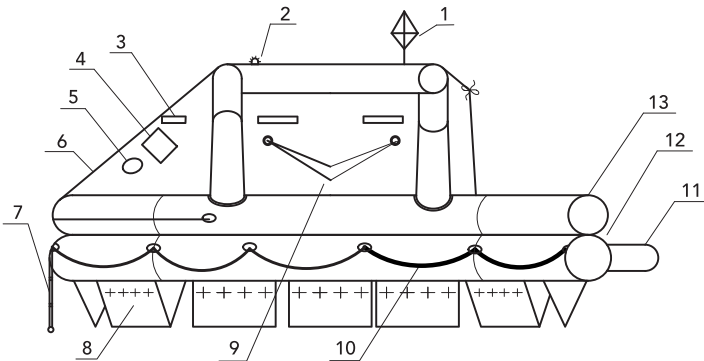
Type	Rated Person	Container Dia. mm	Container Length. mm	Weight kg
A6	6	620	1100	≤ 85
A10	10	680	1150	≤120
A15	15	700	1300	≤140
A16	16	700	1300	≤140
A20	20	730	1495	≤175
A25	25	730	1495	≤195

Maximum Drop Height: 30m



# A

## Throw type SOLAS Inflatable liferaft



- |                          |   |                            |
|--------------------------|---|----------------------------|
| 1. Radar reflector       | 10. Lifeline                                    | 19. Towing rope            |
| 2. Position lamp         | 11. Boarding ramp                               | 20. Boarding handle        |
| 3. Retro-reflective tape | 12. Lower buoyancy chamber                      | 21. Rescue quito socket    |
| 4. Radar answer bag      | 13. Upper buoyancy chamber                      | 22. Inlet valve            |
| 5. Outlook window        | 14. Top up valve                                | 23. Cylinder               |
| 6. Canopy                | 15. Overpressure valve                          | 24. Accessories bag        |
| 7. Raft ladder           | 16. Deflate valve for canopy tube               | 25. Radar reflector socket |
| 8. Water pocket          | 17. External and internal light include battery | 26. Inside lifeline        |
| 9. Rain catchment        | 18. Buoyant knife                               | 27. Sea anchor             |

## Lifesaving Equipment

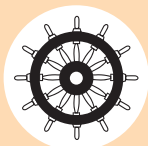


### Emergency Pack SOLAS "A" Pack SOLAS "B" Pack: Optional

- |                           |                               |                                      |
|---------------------------|-------------------------------|--------------------------------------|
| 1. First-aid kit          | 11. Sea anchor                | 21. Hand bellow                      |
| 2. Parachute Rocket Flare | 12. * Tin opener              | 22. Illustration for survival signal |
| 3. Red Hand Flare         | 13. Whistle                   | 23. Floatable knife                  |
| 4. Buoyant Smoke Flare    | 14. Radar reflector           | 24. Repair kit                       |
| 5. Food Rations           | 15. Daylight signaling mirror | 25. Seasick medicine                 |
| 6. Water Rations          | 16. * Fishing kit             | 26. Log book                         |
| 7. Water-proof torch      | 17. Thermal protective aids   | 27. Immediate action card            |
| 8. Floatable bailer       | 18. Drinking Vessel           | 28. Liferaft operation manual        |
| 9. Floatable paddle       | 19. Seasickness bag           |                                      |
| 10. Sponge                | 20. Survivor's manual         |                                      |



Certificate Available Issued by:



**DNV-GL CERTIFICATE**

### Sales & Service Stations Across The Pacific

New Zealand, Fiji, Solomon Islands,  
Vanuatu, New Caledonia, Tahiti.  
And servicing Tonga, Cook Islands, PNG & Niue.